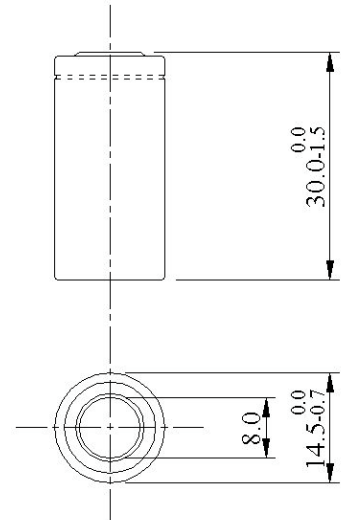


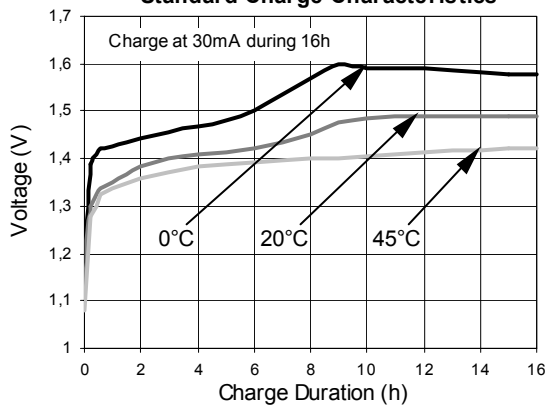
2/3AA Ni-Cd 1.2V 300mAh

Application :		General Application	
Nominal Voltage :		1.2V	
		Discharge Rate	
		0.2C	1C
Capacity	Minimum :	300mAh	270mAh
	Typical :	320mAh	300mAh
Weight :		≤ 13g	
Impedance at 1000Hz :		≤ 40mΩ	
Charge	Standard :	30mA (0.1C) during 16h	
	Fast :	300mA (1C) during 1.2h	
Discharge Current	Standard :	60mA (0.2C)	
	Maximum :	0.9A (3C)	
Temperature	During Storage :	-20°C to +45°C	
	During Standard Charge :	0°C to +45°C	
	During Fast Charge :	+10°C to +40°C	
	During Discharge :	-20°C to +65°C	

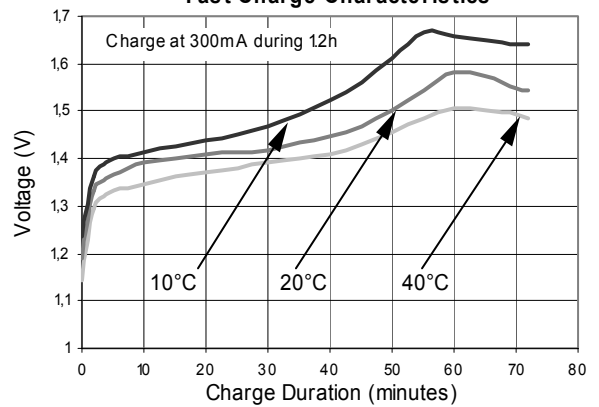
Dimensions with Tube (mm) :



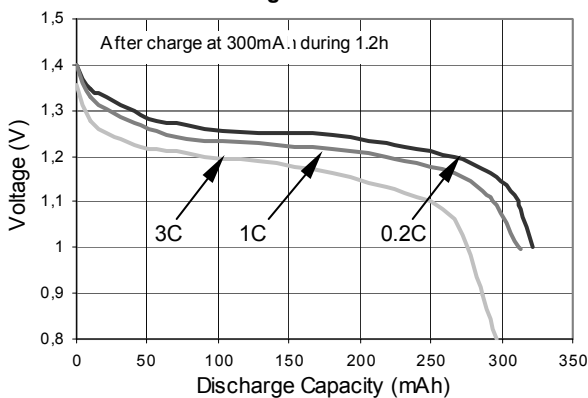
Standard Charge Characteristics



Fast Charge Characteristics



Discharge Characteristics



Available Capacity

