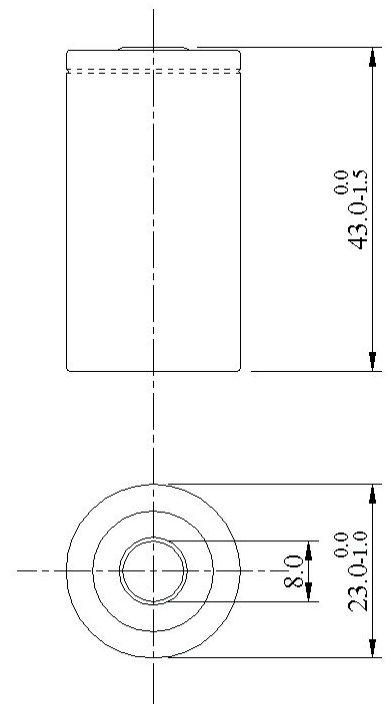


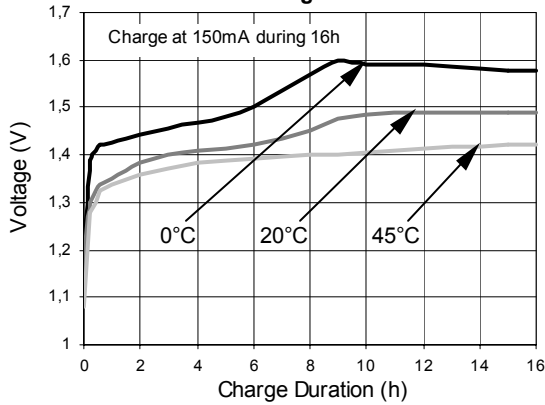
SC Ni-Cd 1.2V 1500mAh

Application :		High Temperature Application
Nominal Voltage :		1.2V
Capacity	@0.2C @ 20°C :	1500mAh
	@0.5C @ 0°C :	1350mAh
	@0.5C @ 20°C :	1150mAh
	@0.5C @ 40°C :	1620mAh
	@0.5C @ 55°C :	1350mAh
Weight :		≤ 49g
Impedance at 1000Hz :		≤ 10mΩ
Charge	Standard :	150mA (0.1C) during 16h
	Maximum :	750mA (0.5C) during 2.5h
	Permanent :	75mA (0.05C) during 48h
Discharge Current	Standard :	750mA (0.5C)
	Maximum continuous :	4.5A (3C)
Temperature	During Storage :	-20°C to +45°C
	During Standard Charge :	0°C to +70°C
	During Permanent Charge :	0°C to +55°C
	During Discharge :	-20°C to +70°C

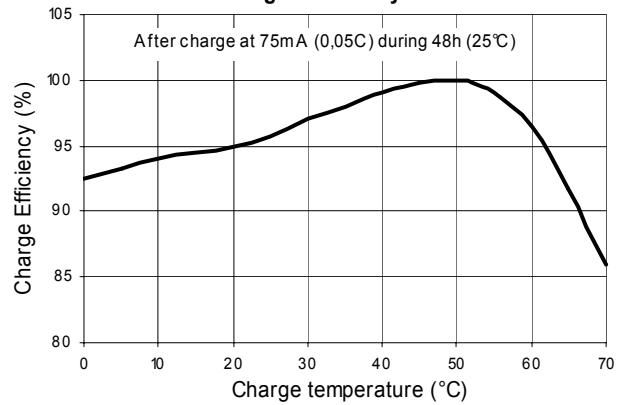
Dimensions with Tube (mm) :



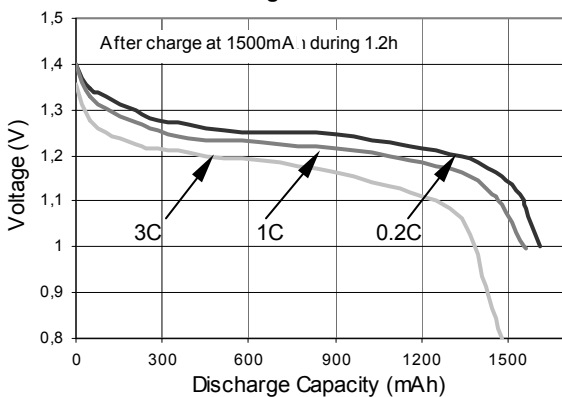
Standard Charge Characteristics



Charge Efficiency



Discharge Characteristics



Discharge Characteristics with Temperature

