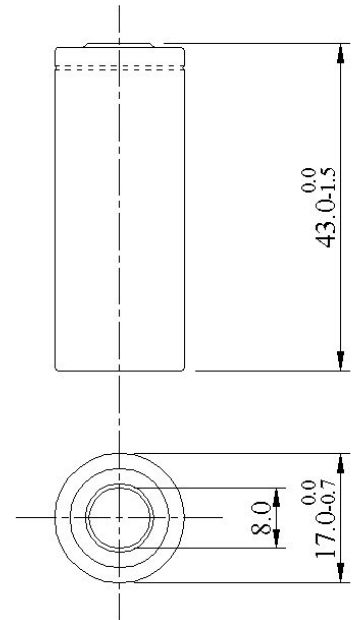


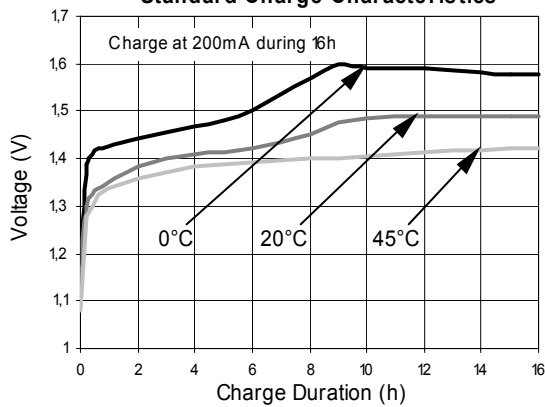
4/5A Ni-MH 1.2V 2000mAh

Application :		General Application	
Nominal Voltage :		1.2V	
		Discharge Rate	
		0.2C	1C
Capacity	Minimum :	2000mAh	1800mAh
	Typical :	2140mAh	2000mAh
Weight :		≤ 33g	
Impedance at 1000Hz :		≤ 20mΩ	
Charge	Standard :	200mA (0.1C) during 16h	
	Fast :	2000mA (1C) during 1.2h	
Discharge Current	Standard :	400mA (0.2C)	
	Maximum :	6A (3C)	
Temperature	During Storage :	-20°C to +45°C	
	During Standard Charge :	0°C to +45°C	
	During Fast Charge :	+10°C to +40°C	
	During Discharge :	-20°C to +65°C	

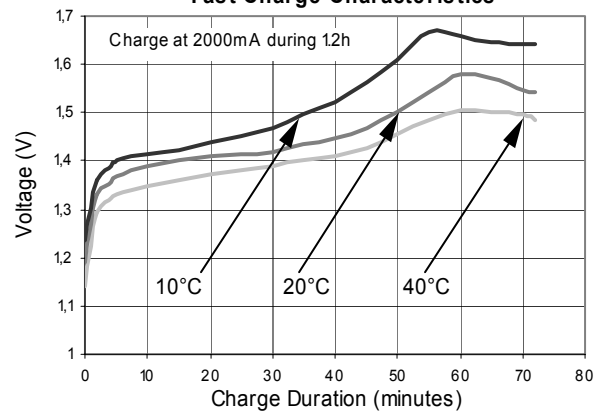
Dimensions with Tube (mm) :



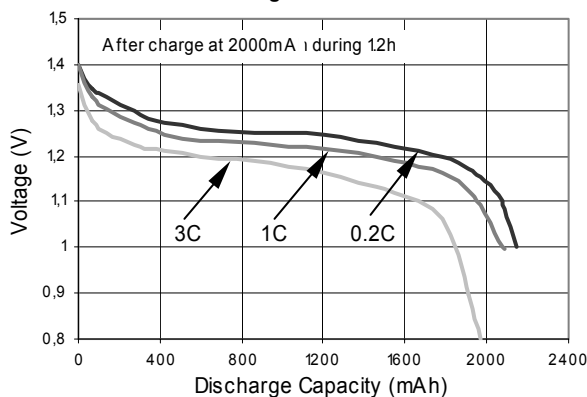
Standard Charge Characteristics



Fast Charge Characteristics



Discharge Characteristics



Available Capacity

