

PRODUCT IMAGE / IMAGE DU PRODUIT



GENERAL SPECIFICATIONS / SPECIFICATION GÉNÉRALES

|                                      |                    |
|--------------------------------------|--------------------|
| Classification / Classification      | Alkaline coin cell |
| Designation IEC / Désignation IEC    | LR936 / LR45 / AG9 |
| Nominal Capacity / Capacité Nominale | 60 mAh             |
| Nominal voltage / Tension nominale   | 1.5V               |
| Average weight (g) / Poids moyen (g) | 0.85g              |
| Shelf Life / Durée de vie            | 3 years / 3 ans    |
| Dimension (mm) / Dimension           | Φ 5.75×2.10        |

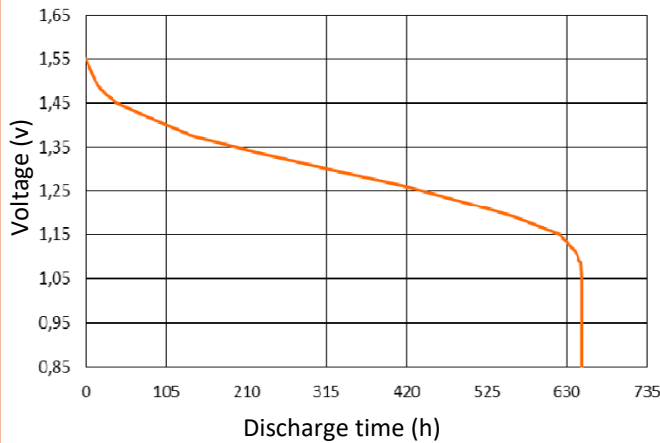
TEMPERATURE RANGE / PLAGE DE TEMPÉRATURE

|   |                              |
|---|------------------------------|
| Operating temperature range / Température d'utilisation | -20°C to +80°C               |
| Recommended applications / Applications recommandées    | Calculator, watches, remotes |

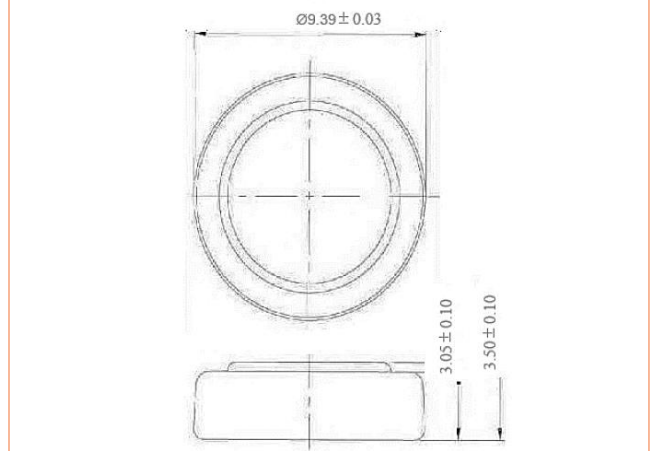
CONFIGURATION AVAILABLE / CONFIGURATION

|  |   |
|--|---|
| Pieces per carton / Contenu par carton     | 20 / inner / SPCB<br>200 / master / PCB |
| Packaging available / Emballage disponible | Strip pack of 5<br>Blister de 5         |

DISCHARGE CHARACTERISTICS (22 kΩ load resistance to 0.9 V)



NOMINAL DIMENSION (mm)



\*The above information is generally descriptive only and is not intended as guarantee or warranty  
\*\*Uniross reserves the right to alter or amend the design, model and specification without prior notice.