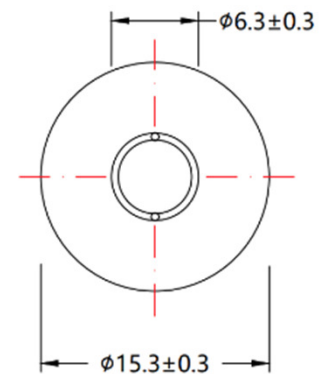
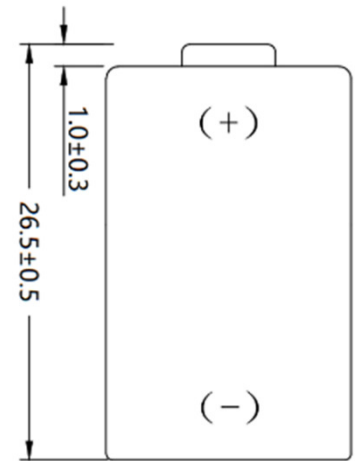


Advantages

Our lithium Manganese Dioxide battery (LiMnO₂) delivers High open circuit and load voltage, High energy density, Wide operating temperature range, Flat discharge profile under low to medium rate applications, Low self-discharge: less than 1% per year at RT and Superior shelf life and operational life.

General specifications

Technology / Technologie	Lithium Manganese Dioxide LiMnO ₂
Designation / Désignation	CR2 (S)
Nominal Capacity / Capacité Nominale	900 mAh [20mA~ 1.5V]
Nominal voltage / Tension nominale	3.0 V
Maximum continuous current / Courant continu maximal	900 mA
Maximum pulse current / Courant maximum d'impulsion	2000 mA
Weight / Poids	11 g
Operating temperature range	-40 °C – +70 °C
End of Discharge Voltage Tension de la fin de décharge	1.5 V
Shelf Life / Durée de vie	10 Years / 10 Ans
Dimensions	Φ D: 15.3 x H 26.5 mm



Electrical Specifications

Available terminations

- S: Standard
- T: Solder tabs
- P: Axial pins

Customized terminations are also available.

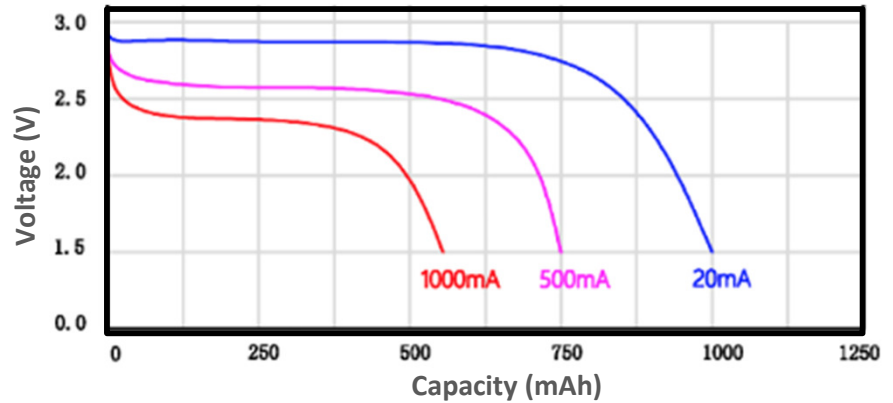
Safety considerations

Do not connect more than three cells

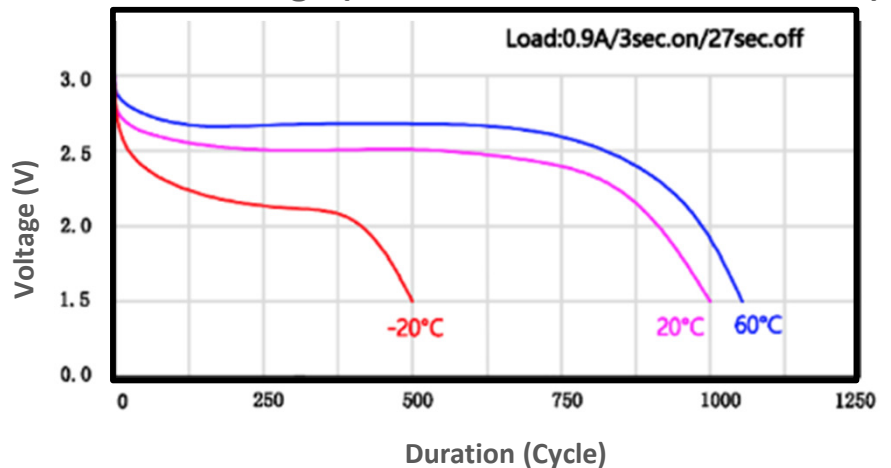
Do not recharge, short circuit, over-discharge, disassemble, dispose in fire, or connect the wrong polarity (+,-)

Do not use the battery beyond its permitted temperature range.

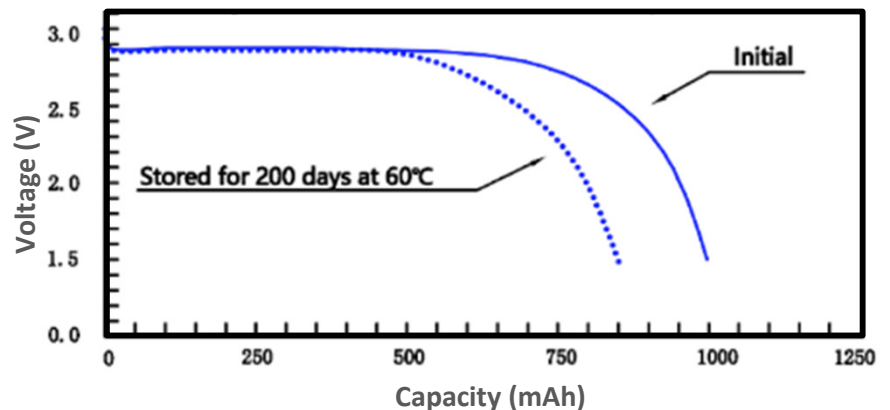
Typical Discharge Profiles at $+20 \pm 2 \text{ }^\circ\text{C}$



Pulse Discharge (Load:0.9A / 3sec.on / 27sec.off)



Aging Discharge Characteristics at $+20 \pm 2 \text{ }^\circ\text{C}$



Note: The above information is generally descriptive only and is not intended as a guarantee or warranty. Uniross reserves the right to alter or amend the design, model and specification without prior notice.