

PRODUCT IMAGE / IMAGE DU PRODUIT



GENERAL SPECIFICATIONS / SPECIFICATION GÉNÉRALES

Classification / Classification	Alkaline coin cell
Designation IEC / Désignation IEC	LR521 / LR63 / AG0
Nominal Capacity / Capacité Nominale	10 mAh
Nominal voltage / Tension nominale	1.5V
Average weight (g) / Poids moyen (g)	0.28g
Shelf Life / Durée de vie	3 years / 3 ans
Dimension (mm) / Dimension	Φ 5.75 × 2.10

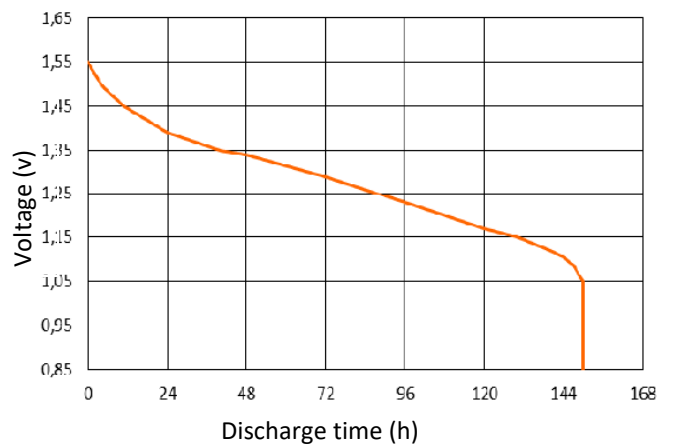
TEMPERATURE RANGE / PLAGE DE TEMPÉRATURE

Operating temperature range / Température d'utilisation	-20°C to +80°C
Recommended applications / Applications recommandée	Calculator, watches, remotes

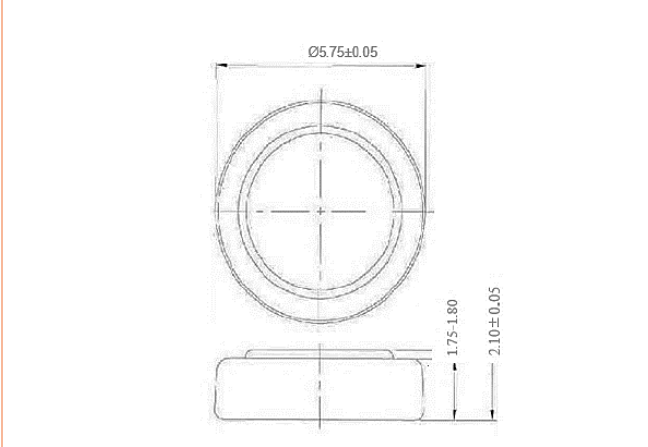
CONFIGURATION AVAILABLE / CONFIGURATION

Pieces per carton / Contenu par carton	20 / inner / SPCB 200 / master / PCB
Packaging available / Emballage disponible	Strip pack of 5 Blister de 5

DISCHARGE CHARACTERISTICS (22 kΩ load resistance to 0.9 V)



NOMINAL DIMENSION (mm)



\*The above information is generally descriptive only and is not intended as guarantee or warranty  
 \*\*Uniross reserves the right to alter or amend the design, model and specification without prior notice.