

PRODUCT IMAGE / IMAGE DU PRODUIT



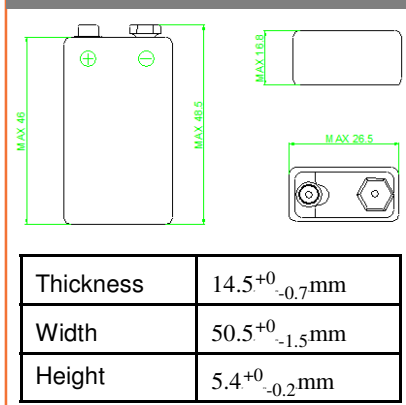
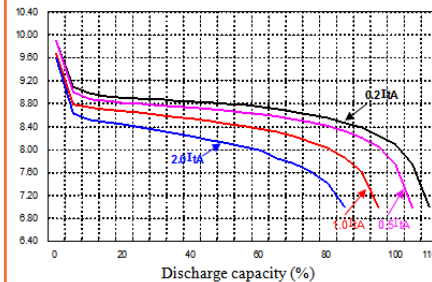
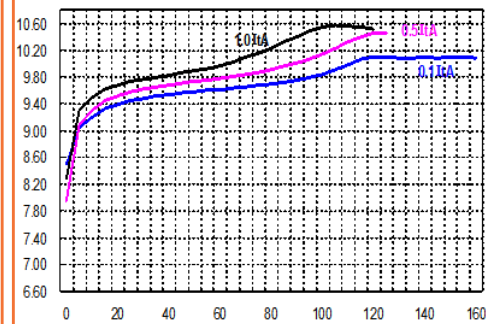
GENERAL SPECIFICATIONS / SPECIFICATION GÉNÉRALES

Classification / Classification	Nickel Metal Hydride
Battery Type / Type de Batteries	PP3/9V
Nominal voltage / Tension Nominale	8.4V
Nominal capacity / Capacité Nominale	200mAh
Minimal capacity / Capacité Minimale	190mAh
Weight / Poids	42.5g

CHARGING INFORMATION / INFORMATION SUR LA CHARGE

Standard Charge Charge Standard	19mA x 16h
Rapid Charge Charge Rapide	70mV
Internal Impedance Impédance Interne	< 550 mΩ after standard charge at 1 kHz for 1 hour
Cycle Life Cycle de Vie	≥ 500
Max Continuous Discharge Current Courant Maximal de Charge	380mA

DIMENSIONS


 DISCHARGE CHARACTERISTICS
 CARACTÉRISTIQUES DE DÉCHARGE

 CHARGE CHARACTERISTICS
 CARACTÉRISTIQUES DE CHARGE


AMBIENT TEMPERATURE RANGE / PLAGE DE TEMPERATURE AMBIANTE

Operating temperature range for humidity: +65%± 20% Température d'utilisation avec une humidité de 65%± 20%	Standard charge / Charge Standard Discharge / Décharge	0 to +40°C (32 to 104°F) 0 to +50°C (32 to 122°F)
Storage temperature range for humidity: +65%±20% Température de stockage avec une humidité de 65%± 20%	Minimum / Minimum	-20 to +50°C (-4 to 122°F)
Discharge at low Temperature Décharge à basse température	> 210 min at 0°C±2°C with 0.2C mA, after stored at 0°C±2°C for 24 hours	
Self Discharge / Auto-décharge	> 80% from rated capacity at 0.2C mA, after stored for 180 days > 75% from rated capacity at 0.2C mA, after stored for 360 days	
Humidity for operation and storage Humidité pour utilisation et stockage	65%±20%	

*The above information is generally descriptive only and is not intended as guarantee or warranty
 **Uniross reserves the right to alter or amend the design, model and specification without prior notice.