

PRODUCT IMAGE / IMAGE DU PRODUIT



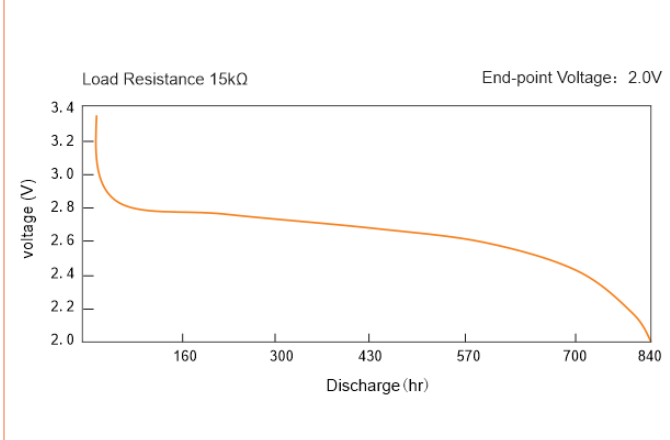
GENERAL SPECIFICATIONS / SPECIFICATION GÉNÉRALES

Classification / Classification	Lithium Coin
Designation IEC / Désignation IEC	CR2025
Nominal Capacity / Capacité Nominale	160 mAh
Nominal voltage / Tension nominal	3.0V
Average weight (g) / Poids moyen (g)	2.3g
Shelf Life / Durée de vie	5 years / 5 ans
Typical Volume / Volume	0.8 cm <sup>3</sup>

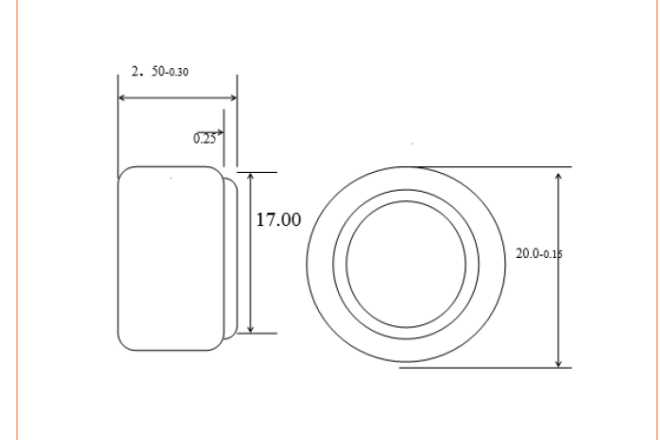
TEMPERATURE RANGE / PLAGE DE TEMPÉRATURE

Operating temperature range Température d'utilisation	-20°C to +80°C
Recommended applications Applications recommandées	Watch, remote, calculator

DISCHARGE CHARACTERISTICS (15 kΩ discharge load to 2.0 V)



NOMINAL DIMENSION (mm)



\*The above information is generally descriptive only and is not intended as guarantee or warranty  
\*\*Uniross reserves the right to alter or amend the design, model and specification without prior notice.